

Air Ultrafiltration Units

Air ultrafiltration units AVF by Telstar are designed to replace ceiling air conditioning diffusers, by achieving delivery of sterile air free from particles. They incorporate a fan with a flow volume regulator to compensate the clogging of the HEPA filter and thus deliver the necessary flow volume to the zone to be treated.



General Features

- **Air flow volume** delivered in a turbulent regime between 600 and 1200 m³/h.
- **Sterilisation of air** by means of mechanical filtering through absolute ultra-high efficiency HEPA H-14 filters.
- **The effectiveness of the filter** is greater than 99.995% MPPS (EN-1822) at the operating regime.
- **The unit consists of** a metal cabinet, built of stove-enamelled sheet steel suitable for containing the sterile air production unit. Optionally, it can be built of AISI-304 stainless steel, with a vibration polished finish. The cabinet comprises:
 - Absolute air sterilisation system consisting of HEPA H-14 ultra-high efficiency filters. The absolute filter made of a special fibreglass paper sheet corrugated to increase its surface. A complex adjustment system ensures the air tightness of the filter against the mounting frame, preventing leaks of untreated air.
 - Electronic regulator of the air flow volume delivered.
 - Statically and dynamically balanced centrifugal fans, equipped with a direct coupling single-phase electric motor, with a low sound level under 65 dBA. The assembly is equipped with the corresponding anti-vibration elements.
 - Micro-perforated aluminium meshes for distributing and sending air to the work area. It can optionally be built of stainless steel.

- **Intake of the air to be treated:**

Series B: By means of a 195 mm Ø nozzle for coupling to the air conditioning duct, located in the upper part of the cabinet.

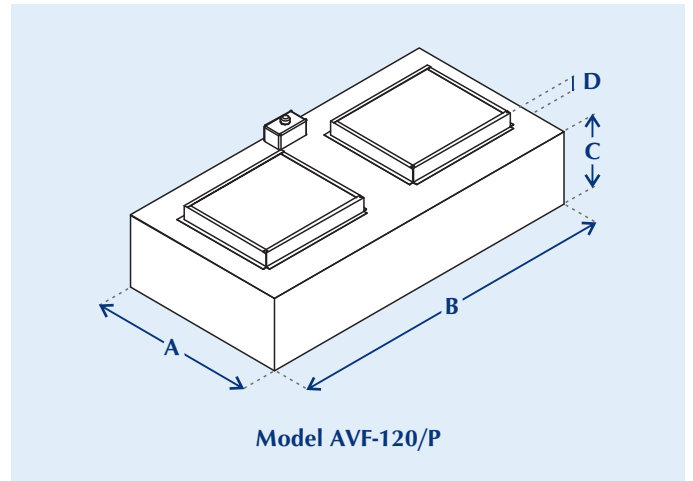
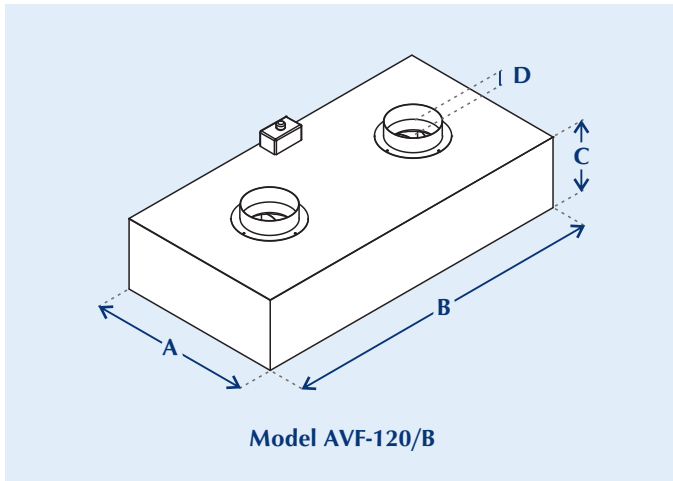
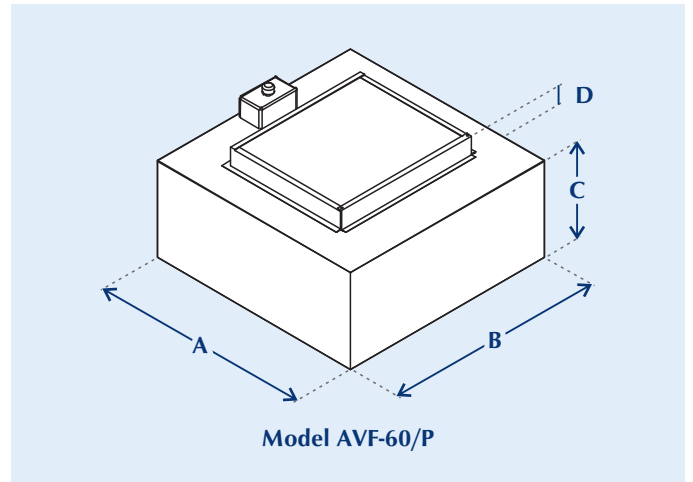
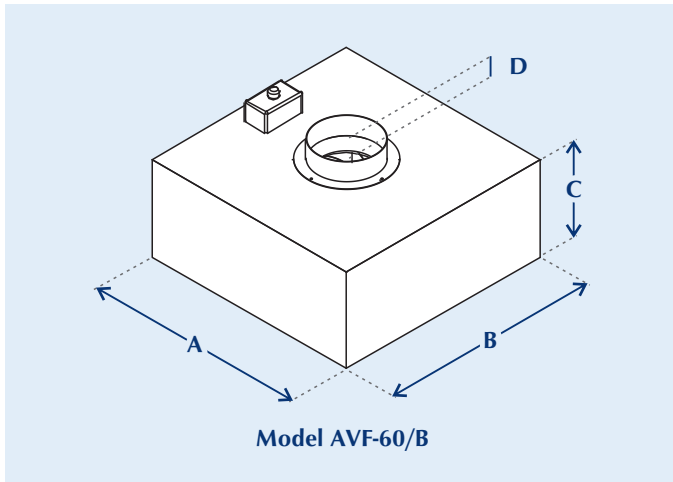
Series P: By means of an EU-2 efficiency symmetrical blanket filter equivalent to 80% ASHRAE gravimetric.

Technical Data

	Units	AVF-60/B	AVF-60/P	AVF-120/B	AVF-120/P
Filter	mm	610 x 610 x 68	610 x 610 x 68	1220 x 610 x 68	1220 x 610 x 68
Air Flow	m ³ /h	800	800	1500	1500
Nominal Flow	m ³ /h	600	600	1200	1200
Total Power	w	170	170	340	340
Total Consumption	Amp	0,78	0,78	1,56	1,56

Sizes (in mm)

Model	A	B	C	D
AVF-60/B	660	660	286	60
AVF-60/P	660	660	286	55
AVF-120/B	660	1320	286	60
AVF-120/P	660	1320	286	55



Av. Font i Sagué, 55
 Parc Científic i
 Tecnològic Orbital 40
 08227 Terrassa (Espanya)
 T +34 937 361 600
 F +34 937 861 380

Santibáñez de Béjar, 3
 28042 Madrid (Espanya)
 T +34 913 717 970
 F +34 913 717 971

www.telstar-lifesciences.com

ISO 9001: Certified Company
 BR-AVF-EN-0911 Telstar reserves the right to improvements and specification changes without notice.